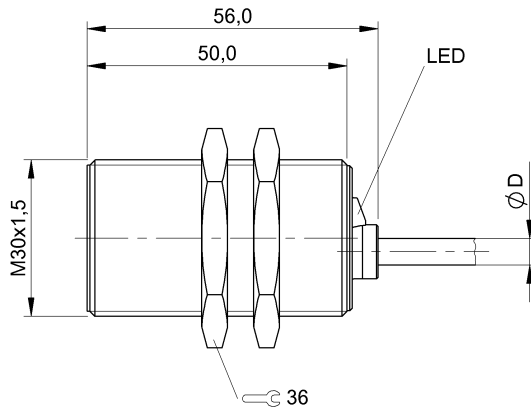


Inductive Sensors
BES M30MI-PSC10B-BV05
 Order Code: **BES00A2**

BALLUFF



Basic features

Approval/Conformity	CE UKCA cULus WEEE
Basic standard	IEC 60947-5-2
Trademark	Global

Display/Operation

Function indicator	yes
Power indicator	no

Electrical connection

Cable diameter D	4.60 mm
Cable length L	5 m
Conductor cross-section	0.34 mm ²
Connection type	Cable, 5.00 m, PVC
Number of conductors	3
Polarity reversal protected	yes
Protection against device mix-ups	yes
Short-circuit protection	yes

Electrical data

Load capacitance max. at Ue	1 µF
Min. operating current I _m	0 mA
No-load current I _o max., damped	10 mA
No-load current I _o max., undamped	5 mA
Operating voltage U _b	12...30 VDC
Output resistance R _a	33.0 kOhm + D
Protection class	II
Rated insulation voltage U _i	250 V AC
Rated operating current I _e	200 mA
Rated operating voltage U _e DC	24 V
Rated short circuit current	100 A
Ready delay t _v max.	150 ms
Residual current I _r max.	20 µA
Ripple max. (% of U _e)	15 %
Switching frequency	400 Hz
Utilization category	DC -13
Voltage drop static max.	2.5 V

Environmental conditions

Ambient temperature	-25...70 °C
Contamination scale	3
EN 60068-2-27, Shock	Half-sinus, 30 g _n , 11 ms
EN 60068-2-6, Vibration	55 Hz, amplitude 1 mm, 3x30 min
IP rating	IP68

Functional safety

MTTF (40 °C)	880 a
--------------	-------

Interface

Switching output	PNP normally open (NO)
------------------	------------------------

Inductive Sensors
BES M30MI-PSC10B-BV05
Order Code: **BES00A2**

BALLUFF

Material

Housing material	Brass, nickel-plated
Material jacket	PVC
Material sensing surface	PA 12

Mechanical data

Dimension	Ø 30 x 56 mm
Installation	for flush mounting
Size	M30x1.5
Tightening torque	70 Nm

Range/Distance

Assured operating distance Sa	8.1 mm
Hysteresis H max. (% of Sr)	15.0 %
Rated operating distance Sn	10 mm
Real switching distance sr	10 mm
Repeat accuracy max. (% of Sr)	5.0 %
Temperature drift max. (% of Sr)	10 %
Tolerance Sr	±10 %

Remarks

The sensor is functional again after the overload has been eliminated.
For more information about MTTF and B10d see MTTF / B10d Certificate

Indication of the MTTF- / B10d value does not represent a binding composition and/or life expectancy assurance; these are simply experiential values with no warranty implications. These declared values also do not extend the expiration period for defect claims or affect it in any way.

Wiring Diagrams

